



PROJECT		REF		REV	ITEM CODE	
LOCATION		DATE			PAGE	

SANITARY WARE SPECIFICATION SHEET

Item Descriptions	Stern (Israel) "Tubular HD AISI316" Stainless steel AISI316 wall mounted automatic sensor hand dryer ; powered by 110V-120/220V-240VAC	<p align="center">Illustration/ Drawing</p>
Dimensions	L220 x W45 x H45 mm	
Model	Tubular Hand Dryer AISI316	
Code Number	350040	
Finish	Stainless Steel AISI316	
Supplier	Acme Sanitary Ware Co. Ltd Mr. Eric Wong/ Mr. Don Yuen	
Contact Tel/Fax	(852) 2388-7171 / (852) 2710-8012	
E-mail	acme@acmesanitary.com.hk	
Website	www.acmesanitary.com.hk	

Tubular HD AISI316 Ref # 350040

Touch-free electronic hand dryer for wall-mounted installations with stainless steel AISI316 finish. Concealed installation in dry walls. Powered by 110V-120/220V-240Vac. Hand dryer will automatically shut off after being used for more than 60 seconds. Sensor settings can be customized by remote control.

Application:

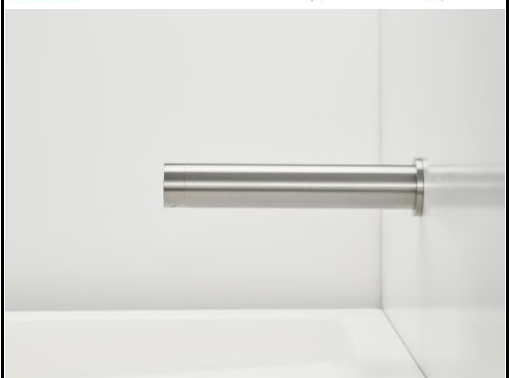
Touch-free electronic hand dryer. The hand dryer is activated automatically, the user places hands under the opening and the IR sensor sends a signal to the electronic unit air sending out air.

Use:

High speed, high-quality hand dryer with a sleek, vandal-resistant design. For use in transport facilities, schools, stadiums, sports arenas, and public washrooms.

TECHNICAL SPECIFICATIONS

ITEM CATEGORY	PERFORMANCE DATA
Operating Voltage	110-120 Vac, 50/60 Hz, 12.2-13.4 A, 1.34-1.6 Kw 220-240 Vac, 50/60 Hz, 6.1-6.7 A, 1.34-1.6 Kw
Motor Thermal Protection	Auto Resetting Thermostat turns unit off, 120V at 135 °C (275 °F), 240V at 95 °C (203 °F)
Heater Element	450-900 W, adjustable
Heater Thermal Protection	Auto Resetting Thermostat turns unit off at 85 °C [185 °F] Thermal fuse cuts unit off at 142 °C [288 °F]
Standby Power	0.3-0.4 W
Circuit Operation	infrared Automatic, self adjusting
Sensor Range	3" to 18" [80 mm to 450 mm], Adjustable; standart 8.66" [220 mm ± 20 mm]
Timing Protection	60 seconds auto shut off
Drip proof	IP 21

**Installation:**
Wall mounted

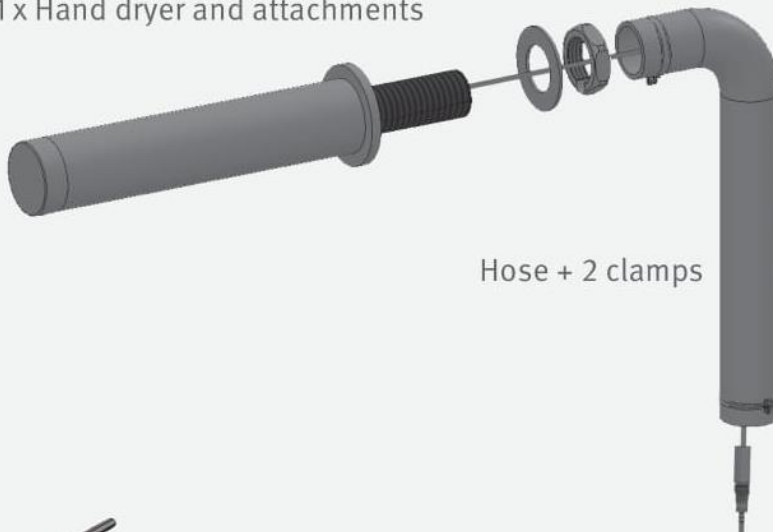


SPARE PARTS LIST

PACK CONTENTS

TUBULAR HD

1 x Hand dryer and attachments



Hose + 2 clamps



1 x Allen key 2.5mm



1 x Allen key 3mm



1 x Allen key 7mm



1 x Hand dryer unit



4 x Screws & Ancors

Power supply cord with plug (plug is optional according to the region)

Note: In order to locate the relevant spare part, please check the corresponding parts and part number in the drawing. Minimum order quantity will be required.

* All information of the above is for the reference only. No prior notice is made if any changes.



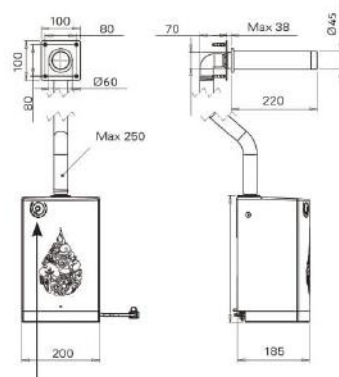
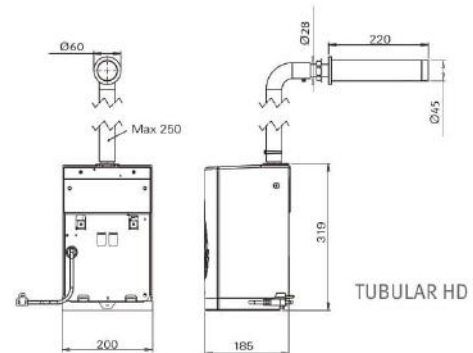
TUBULAR HD

Electronic wall mounted hand dryer operated by IR sensor.

Touch free electronic hand dryer for wall mounted installations. Powered by 110V-120/220V-240VAC. Hand dryer will automatically shut off after being used for more than 60 seconds. Sensor settings can be customized by remote control.

Advantages:

- Installed above basin preventing hand wash drips to floors and counters
- HEPA filter for added hygienic properties
- Full brass body or stainless steel 316 material
- Variety of colors and special finishes available
- Matching touch free faucet and soap dispenser
- Long lasting, durable and vandal resistant
- Air flow intensity adjustable by external button
- Adjustability with remote control: security time, detection range, delay out
- On/Off function to perform cleaning



Airflow intensity adjustment button

TUBULAR DP HD

MODEL	CODE	POWER	ADDITIONAL FEATURES
TUBULAR HD	350030	110V-120/ 220V-240VAC	Concealed installation in dry walls
TUBULAR HD AISI316	350040		
TUBULAR DP HD	350020	110V-120/ 220V-240VAC	Concealed installation in dry walls as well as concrete and brick walls
TUBULAR DP HD AISI316	350010		

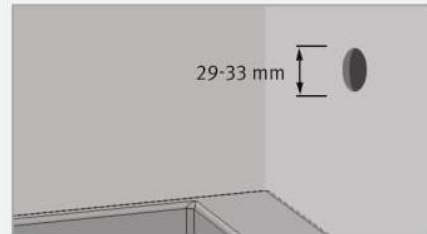


INSTALLATION

STEP 1 – INSTALL THE WALL UNIT - TUBULAR HD

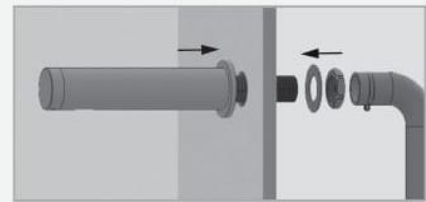
1

Drill a 29-33 mm hole in the wall at the desired location.



2

Insert the base through the hole and fasten the nut and metal ring onto the base of the HD to hold it firmly in place.
Attach hose to base using the hose clamp (supplied).



Continue with STEP 2: INSTALLING THE MOTOR (pages 10-11)

STEP 1 – INSTALL THE ROUGH IN PART - TUBULAR HD DP

In the brick or concrete wall, a hole must be carved into the wall to make space for the wall mount and air duct. The body must be removed from the base by opening the set screw at the base of the body.

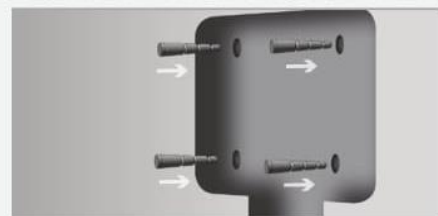
1

Cut an adequate opening in the wall according to the dimensions of the Tubular DP HD, the cables sleeve and the hose.



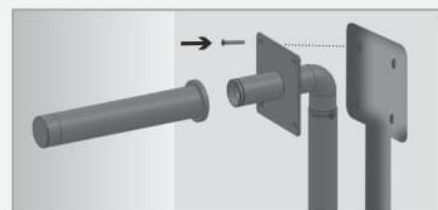
2

Drill 4 small holes for the tubular base support and drive the anchors in.



3

Secure the base support using the 4 screws. make sure that the base is leveled to the center.
After tiling mount the Tubular body onto the base and thread the cable through the base and air hose.



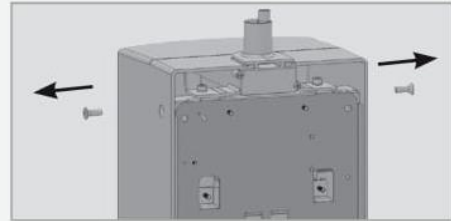
Continue with STEP 2: INSTALLING THE MOTOR (pages 10-11)



INSTALLATION

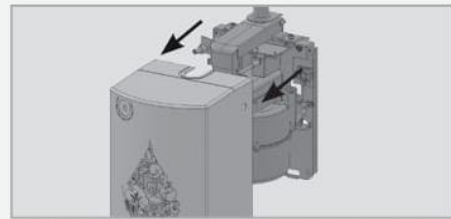
4

Remove the 2 locking screws located on either side of the motor unit using Allen key supplied.



5

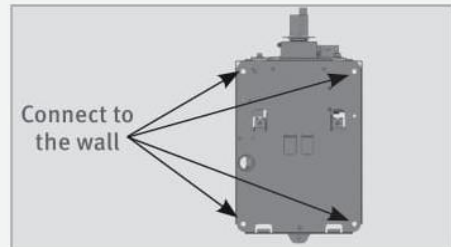
Remove the cover of the motor unit.



Note: To connect a hardwire cable or to change the existing power cable, See relevant section below.

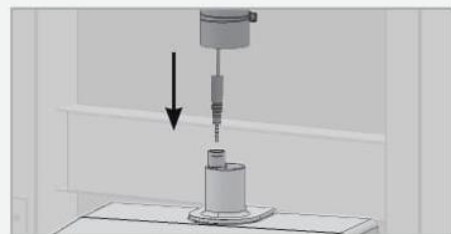
6

Position unit at the end of the air hose.
Connect the unit firmly to the wall.
Note: Hose length can not be cut.
Note: make sure the bottom of the unit has a clearing of a minimum 10 cm (4") from any obstacle.



7

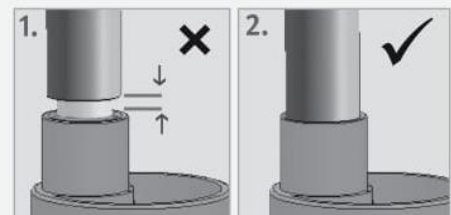
Attach the connector.



8

Please note that since the connector is water proof, some friction might apply.

1. O-RING VISIBLE – NOT CONNECTED PROPERLY
2. ONLY THE GROOVES ARE VISIBLE – CONNECTED PROPERLY



9

Reassemble cover, knob, filter housing.
Connect the electricity (cable not included).



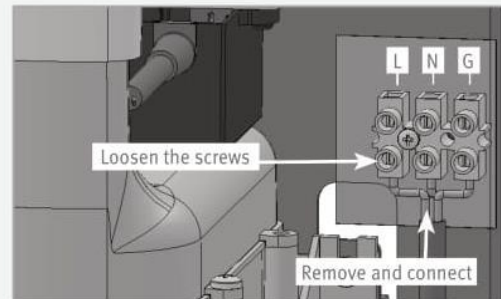


INSTALLATION

CONNECTING OPEN WIRE CABLES (NOT PROVIDED)

1 Loosen the screws to remove the existing cable.

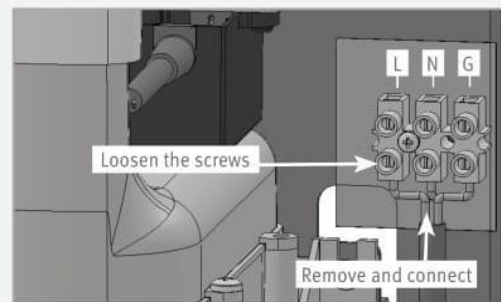
2 Connect the hardwire cable.



CHANGING THE CABLE

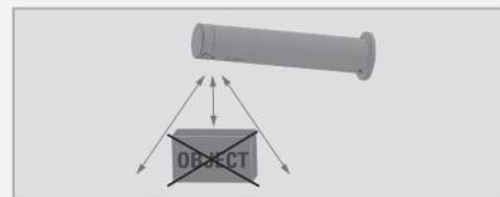
1 Loosen the screws to remove the existing cable.

2 Connect the the preferred cable.



OPERATING THE HAND DRYER

Before proceeding, check that no objects are in front of the sensor aside from the washbasin.



1 Remove the sticker covering the sensor eye wait 15 seconds for the sensor to set up.



2 Activate the hand dryer by placing hand below the sensor unit
Remove hands when finished drying.

3 Air power can be increased or decreased by adjusting the power selector knob located on the motor unit.

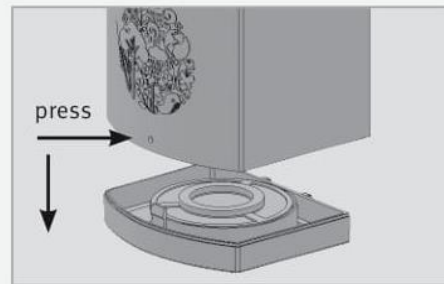




INSTALLATION

CHANGING THE FILTER

Press button to release the filter housing. remove and clean or replace filter. Click the filter housing back into place.



MAINTENANCE

- a. Regular cleaning of the hand dryer is recommended to ensure optimum functioning of the dryer.
- b. Any access to the dryer will be done only after it has been disconnected from the power supply.
- c. Clean the dryer with a damp cloth.
- d. Do not squeeze the cloth.
- e. Do not rinse the dryer with a water hose.
- f. Do not use any material that is worn or scratched (iron, scotch, etc.).
- g. Do not use any aggressive cleaning agent (acid or base).
- h. No cleaning is required for internal parts.
- i. Be sure to clean the motor unit filter every few months (depending on the nature of use) replace if necessary.